



FILED

06/25/24

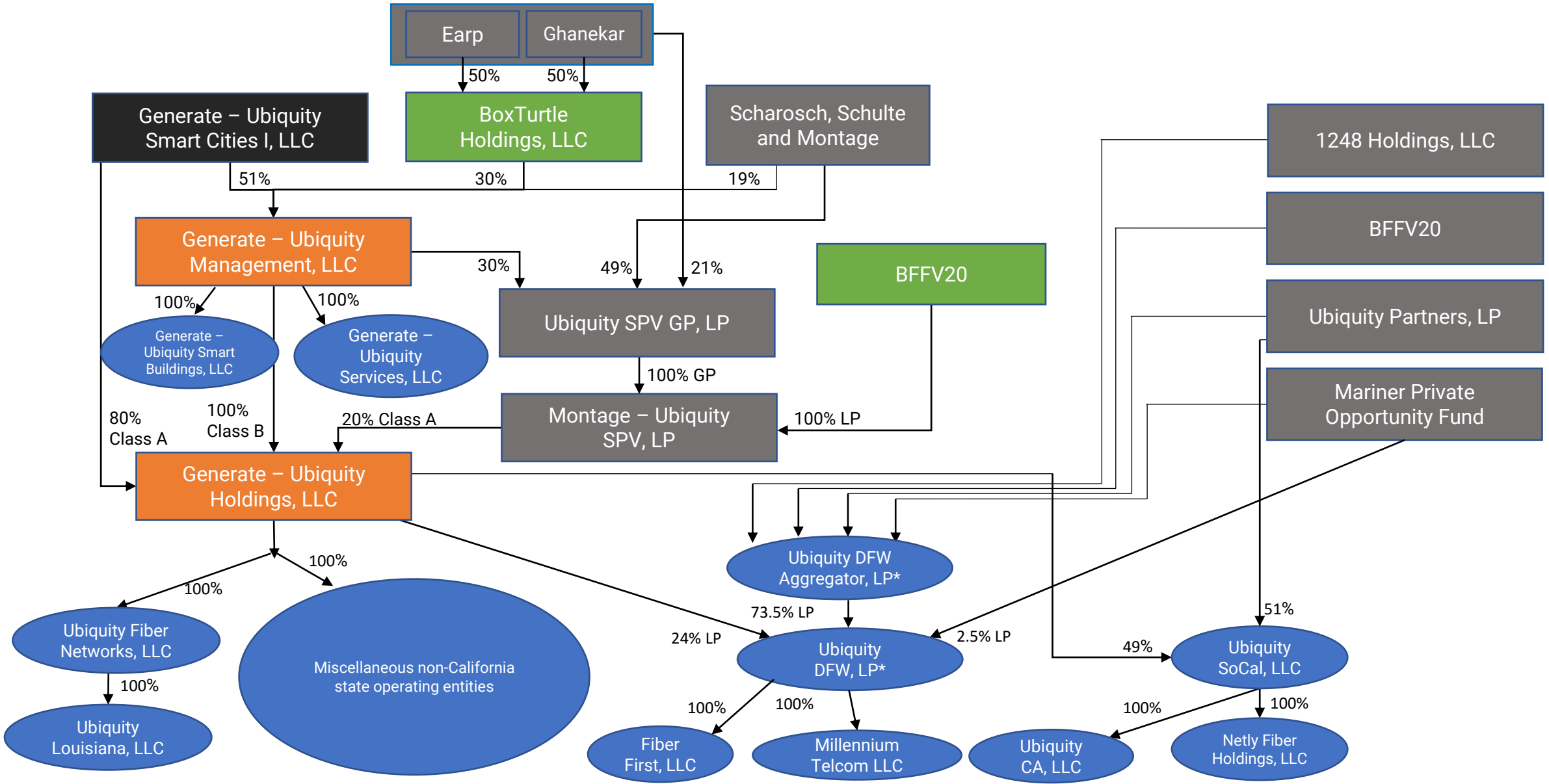
12:39 PM

A2201012

ATTACHMENT A

Organizational Charts

Exhibit 2 - Pre-Closing, Post-Netly Ownership Chart (Current Structure)



* GP of both entities is Ubiquity Holdings UGP, LLC. LP %s in Ubiquity DFW Aggregator, LP are approximate.

Amended Post-Conversion Structure Chart

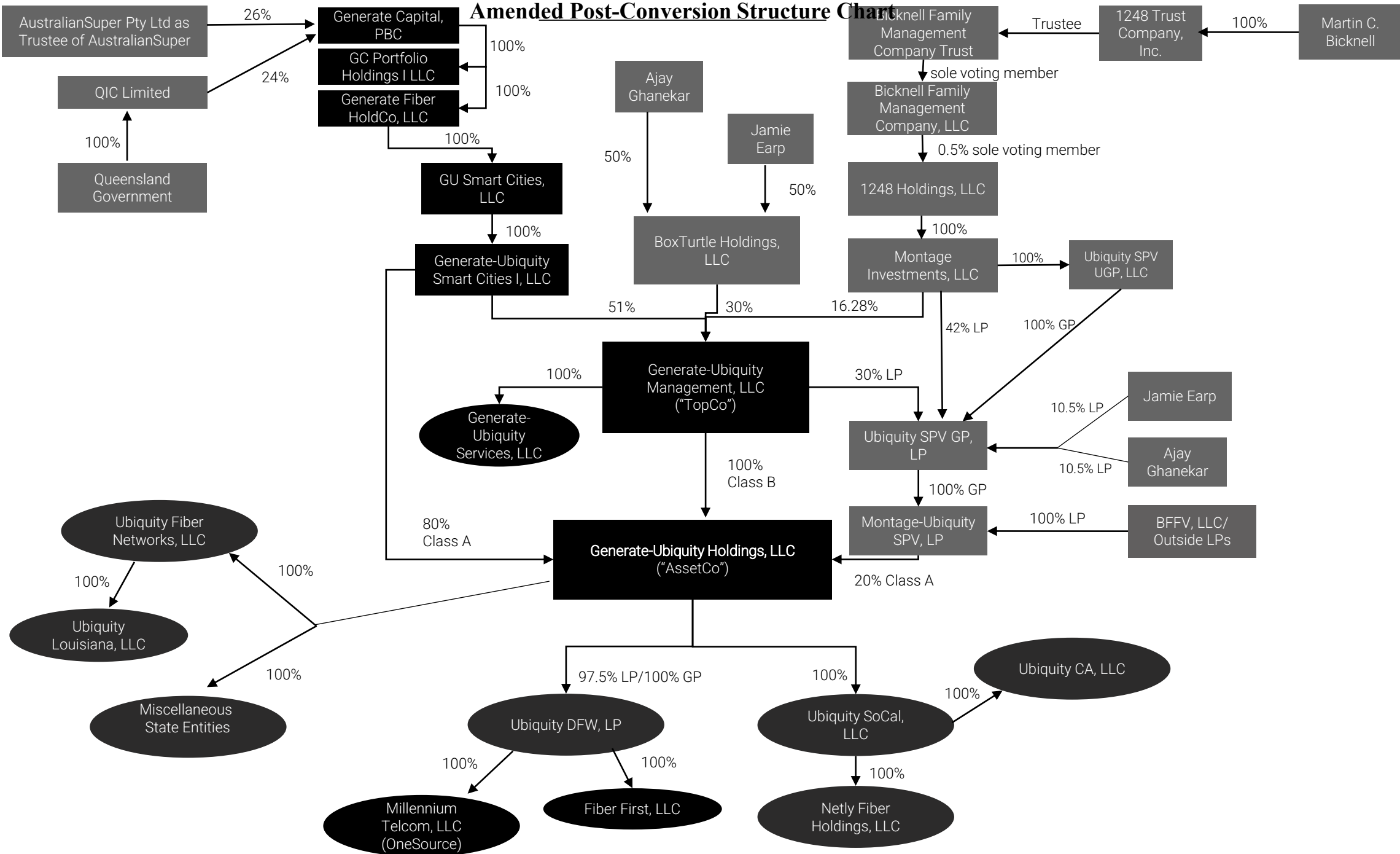
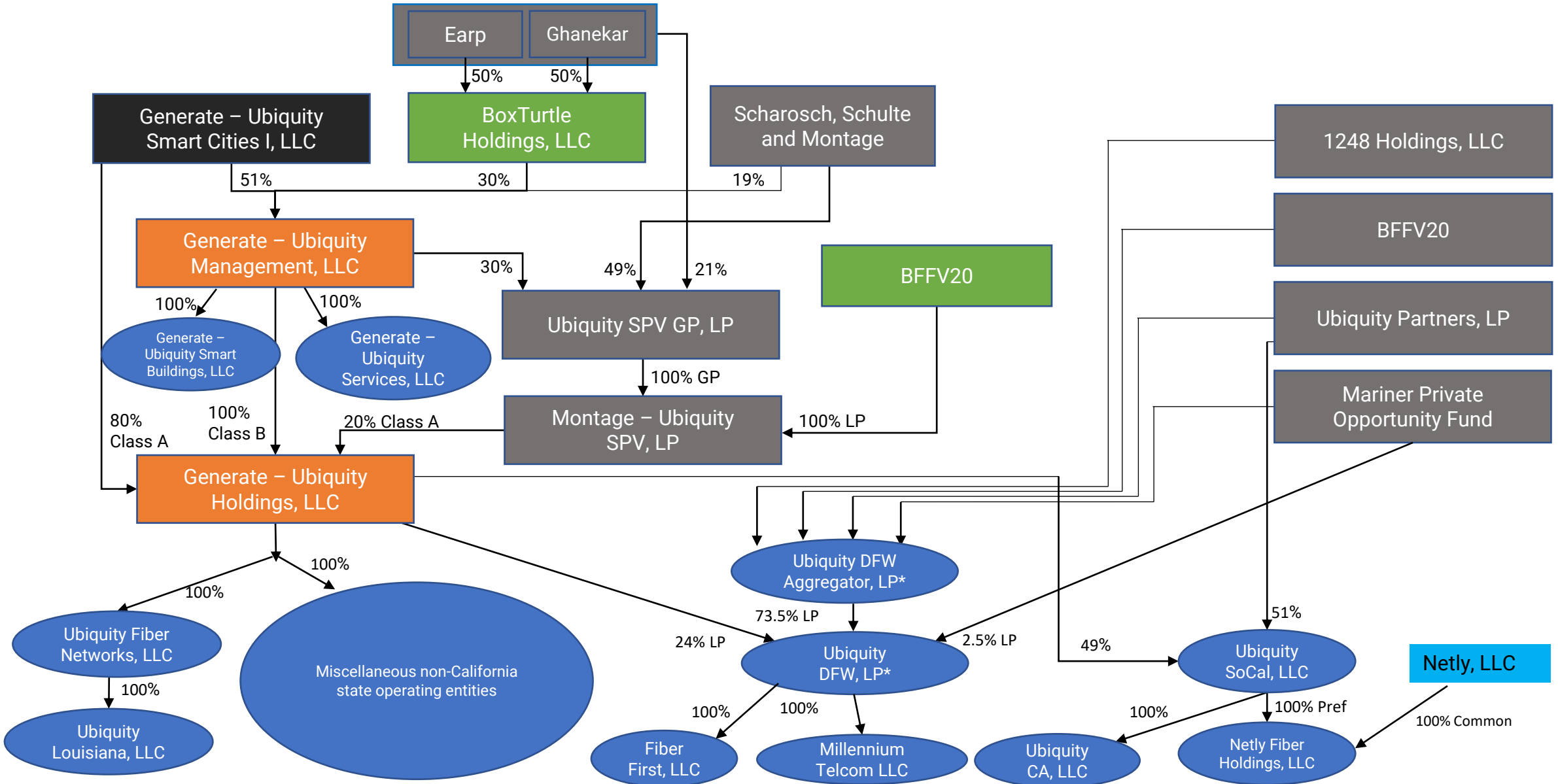


Exhibit 1 - Pre-Closing, Pre-Netly Divestiture Ownership Chart



* GP of both entities is Ubiquity Holdings UGP, LLC. LP %s in Ubiquity DFW Aggregator, LP are approximate.

(END OF ATTACHMENT A)