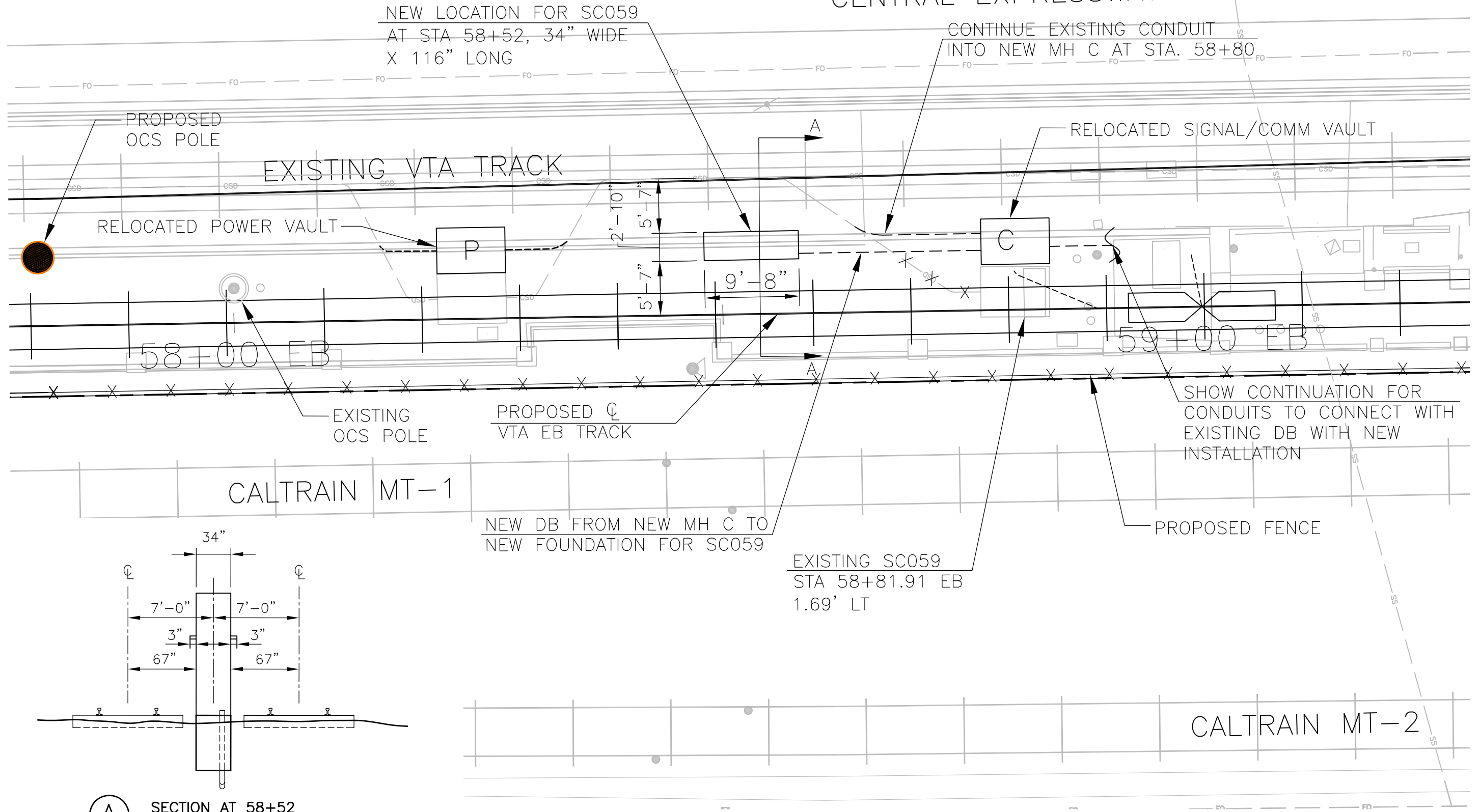
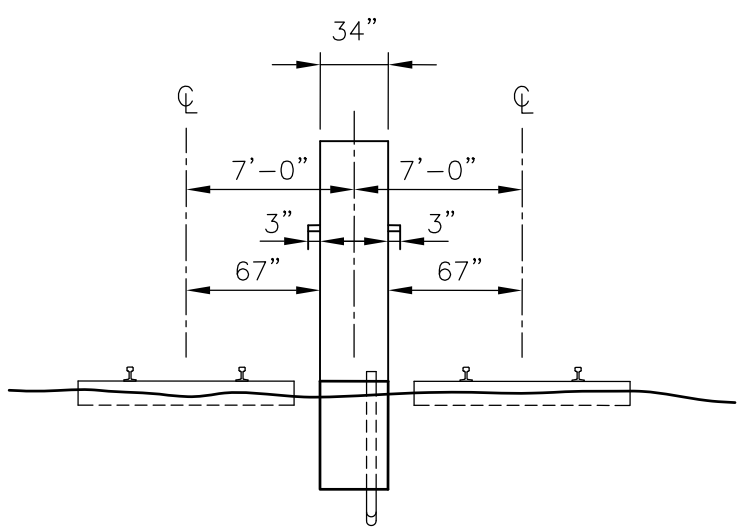


CENTRAL EXPRESSWAY



A SECTION AT 58+52
SC059 CASE FOUNDATION
AT 14'-0" TRACK CENTERS



PLAN
SCALE: 1"=5'

SKETCH FOR CLEARANCE DISCUSSION

Jan 21, 2015 - 3:19pm X:\VTA LRT EFF\000_CAD\Exhibits\Mountain View - Signal Cases\Evelyn_SC059.dwg

REV	DATE	BY	SUB	APP	DESCRIPTION

DESIGNED BY
B. LIU
DRAWN BY
B. LIU
CHECKED BY
W. MCCONNELL
IN CHARGE
M. LITZINGER
DATE
2015.01.21

URS
100 W. San Fernando Street
Suite 200
San Jose, Ca. 95113
Tel: 408.297.9585

SUBMITTED _____

NOT FOR
CONSTRUCTION

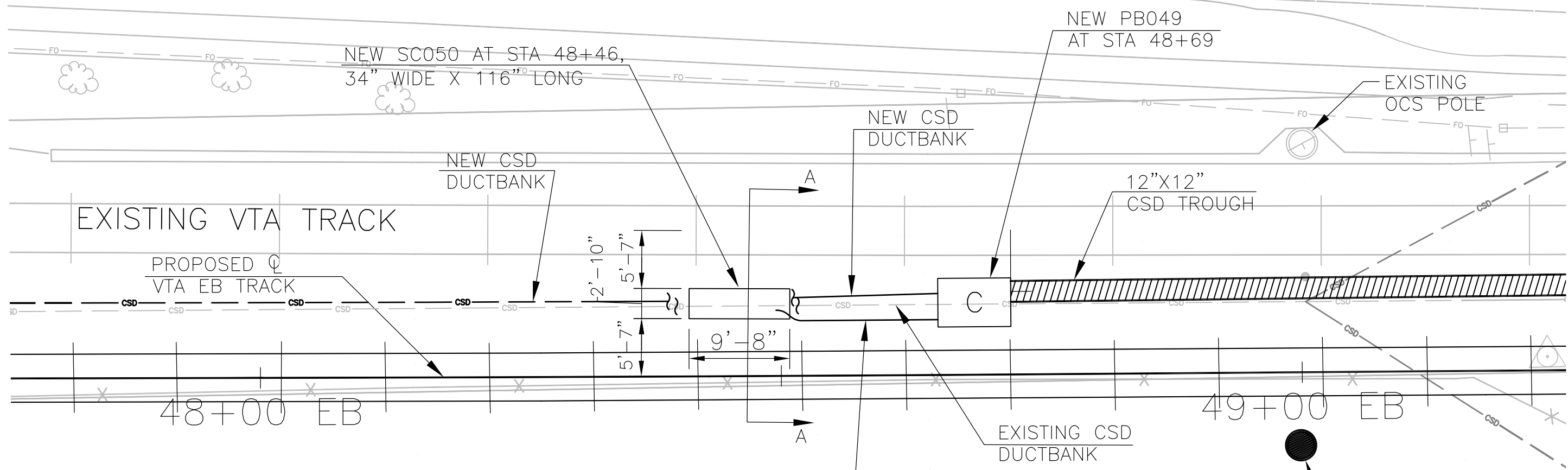


LRT EFFICIENCY PROJECT
MOUNTAIN VIEW PHASE 2

EVELYN STATION PLATFORM
SC059

CADD FILENAME Evelyn_SC059.dwg		
SIZE D	SCALE 1"=5'	REV. 1
CONTRACT NO.	PAGE NO. 1	
AREA CODE	SHEET NO. 1 OF	PAGE NO. 1

CENTRAL EXPRESSWAY

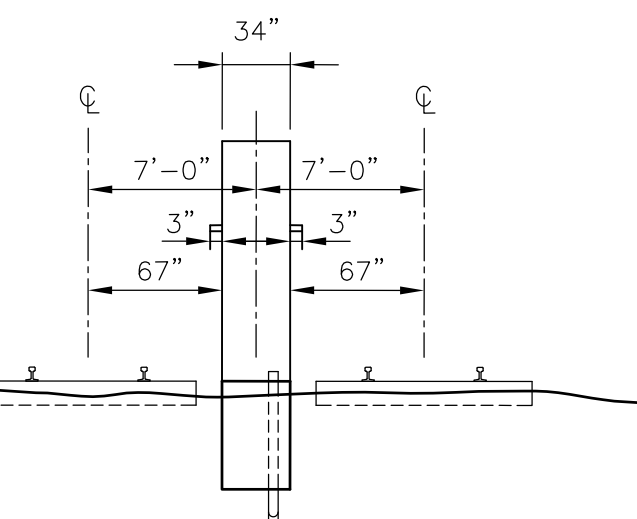


EXISTING VTA TRACK

PROPOSED ϕ
VTA EB TRACK

48+00 EB

49+00 EB



A SECTION AT 48+46
SC050 CASE FOUNDATION
AT 14'-0" TRACK CENTERS

NEW DB FROM NEW MH C TO
NEW FOUNDATION FOR SC050

CALTRAIN MT-1

CALTRAIN MT-2

PLAN
SCALE: 1"=5'

SKETCH FOR CLEARANCE DISCUSSION

benjamin_liu Jan 21, 2015 3:10pm X:\VTA LRT EFF\000_CAD\Exhibits\Mountain View - Signal Cases\Evelyn_SC050.dwg

REV	DATE	BY	SUB	APP	DESCRIPTION

DESIGNED BY
B. LIU
DRAWN BY
B. LIU
CHECKED BY
W. MCCONNELL
IN CHARGE
M. LITZINGER
DATE
2015.01.21

URS
100 W. San Fernando Street
Suite 200
San Jose, Ca. 95113
Tel: 408.297.9585

SUBMITTED _____

NOT FOR
CONSTRUCTION



LRT EFFICIENCY PROJECT
MOUNTAIN VIEW PHASE 1
EVELYN CROSSOVER SIGNAL CASE
SC050

CADD FILENAME Evelyn_SC050.dwg		
SIZE D	SCALE 1"=5'	REV. 1
CONTRACT NO.	PAGE NO. 1	
AREA CODE	SHEET NO. 1 OF	PAGE NO. 1

116 X 84 X 34 STAINLESS STEEL CASE

<u>SHEET</u>	<u>DESCRIPTION</u>
1 OF 14	COVER PAGE AND REVISION HISTORY
2 OF 14	GENERAL NOTES OF MATERIALS AND PROCEDURES
3 OF 14	GENERAL NOTES OF MATERIALS AND PROCEDURES
4 OF 14	EXTERIOR VIEW OF D WALL
5 OF 14	EXTERIOR VIEW OF A WALL
6 OF 14	EXTERIOR VIEW OF B WALL
7 OF 14	EXTERIOR VIEW OF C WALL
8 OF 14	PLAN VIEW OF ENCLOSURE
9 OF 14	FRONT VIEW OF BACKBOARD
10 OF 14	INTERIOR VIEW OF A WALL
11 OF 14	REAR VIEW OF BACKBOARD
12 OF 14	INTERIOR VIEW OF C WALL
13 OF 14	FOUNDATION LAYOUT
14 OF 14	ELECTRICAL SCHEMATIC

PTMW, INC. CANNOT PROCEED WITH PRODUCTION OF THIS PROJECT UNTIL A SIGNED COPY OF THIS SHEET IS RETURNED. APPROVED DENIED

APPROVED BY: _____

COMPANY: _____

PRINT NAME: _____

DATE: _____

DATE	REV	SHEET	DESCRIPTION	DRAWN
7 /2 /14	1	ALL	ADDED 2 CABLE CHUTES; UPDATED RACKS AND TERMINAL BOARDS; UPDATED BREAKERS LAYOUT	VLS
6 /19/14		ALL	ORIGINAL RELEASE	VLS

DIMENSIONAL TOLERANCES UNLESS NOTED

X.0 = +/-1 0.X=+/- .13 0.XX=+/- .063

0.XXX=+/- .031 ANGULAR +/-3 DEG

PTMW, Inc.

OEM METAL ENCLOSURE & FABRICATION

THIS DRAWING IS SOLE PROPERTY OF PTMW AND IS PROTECTED UNDER ALL APPLICABLE COPYRIGHT LAWS. THIS DESIGN IS PROPRIETARY TO PTMW AND IS PROVIDED ON A CONFIDENTIAL BASIS FOR USE RELATED TO PTMW'S BUSINESS. THIS DRAWING MAY NOT BE REPRODUCED AND THE DESIGN MAY NOT BE DUPLICATED WITHOUT THE WRITTEN PERMISSION OF PTMW. WE RESERVE THE RIGHT TO MODIFY THIS DESIGN. THIS DRAWING IS LOANED SUBJECT TO RETURN ON DEMAND.

116 X 84 X 34 STAINLESS STEEL CASE

80300300 1

SHEET 1 OF 14

GENERAL NOTES OF MATERIALS AND PROCEDURES

EXTERIOR FEATURES

- S1 FLOOR
12 GA galvanized steel (A40 ASTM A653).
Mounting plates are constructed from 7ga. stainless steel (ASTM A240, SA240, AMS 5513).
- S2 WALL
12 GA stainless steel 304.
- S3 DOORS
12 GA stainless steel 304.
- S4 ROOF
12 GA stainless steel 304.
- S5 Foundation system is pad mount style for buried or pad foundations.
- S6 All seams caulked with clear 50 year sealant.
- S7 Manufacturer's name plate with serial number located on A wall.
- S8 Aerial cable entries provided.
- S9 Enclosure equipped with 1/4" X 4" X 6" stainless steel (304) lifting lugs.
- S10 One 1/2" dia. silicone bronze stud(s) with hardware will be provided per layout. Each stud will be welded to the structure and protrude 2" inside and outside the enclosure.

DOORS

- D1 Four double 27" X 77" door(s) with opening 25" X 75" (overall 50" X 75" double): R value = 5:
- A. Vandal resistant bolt on stainless steel hinges with grease fittings and stainless steel pins.
 - B. Heavy duty three point locking system with exterior handle with 1/2" diameter padlock hole.
 - C. Door constructed of exterior metal and interior aluminum skin with 1" of rigid insulation between.
 - D. Zinc plated prop rod(s) to hold door open at 90 degrees and 160 degrees, +/- 5 degrees.
 - E. Louvered vent with winter cover, fine copper screening and reusable filters.
 - F. Heavy duty padlock hasp.
 - G. EPDM extruded rubber gasket(s) providing a weather tight seal.

INTERIOR FEATURES

- W1 FLOOR R value = 0:
- A. Floor channels skip welded 1-1/2" every 12".
 - B. Floor covered with 1/8" rubber matting.
 - C. Two 9-1/2" X 19-3/4" cable entry(ies) provided with shipping cover plate(s).
 - D. Two 9-1/2" X 24-3/4" cable entry(ies) provided with shipping cover plate(s).
- W2 D WALL R value = 5:
- A. Case sills, walls, roof and headers are stitch welded 1" every 12".

- B. 1" rigid insulation laminated with class A white plastic panel.

- W3 A WALL R value = 5:
- A. Case sills, walls, roof and headers are stitch welded 1" every 12".
 - B. 1" rigid insulation covered with 3/4" class A white laminated 7-ply plywood.
- W4 B WALL R value = 5:
- A. Case sills, walls, roof and headers are stitch welded 1" every 12".
 - B. 1" rigid insulation laminated with class A white plastic panel.
- W5 C WALL R value = 5:
- A. Case sills, walls, roof and headers are stitch welded 1" every 12".
 - B. 1" rigid insulation laminated with class A white plastic panel.
- W6 CEILING R value = 5:
- A. Case sills, walls, roof and headers are stitch welded 1" every 12".
 - B. 1" rigid insulation laminated with class A white plastic panel.
- W7 RACK(S):
- A. One 19" aluminum equipment rack(s) with EIA 12-24, 5/8 - 5/8 - 1/2 tapped hole spacing.
 - B. One 23" aluminum equipment rack(s) with EIA 12-24, 5/8 - 5/8 - 1/2 tapped hole spacing.
- W8 Two steel shelf(ves) with zinc plated steel brackets bolted to keyway channels. Shelf(ves) are finished with white polyester powder coat and covered with black rubber matting. Shelf(ves) are adjustable.
- W9 Two 3/4" 2-sided MDO plywood backboard(s) installed and finished with 2 coats min. white fire retardant paint.

HVAC

- V1 One 115 volt, 60 hertz, 148 CFM squirrel cage ventilation fan(s) (Grainger #1TDP7).
- V2 One Dayton 30-110° F thermostat(s) (Grainger #1UHH4, 1UHH2 or equivalent).
- V3 One McLean T43 115VAC 6000 Btu air conditioner (w/o heater) with shroud. Thermostat(s) set at 75° F.

ELECTRICAL

All supplied electrical components to be UL listed. All power circuits to be run in conduit and secured to enclosure structure. Electrical system to include the following items installed by manufacturer:

- E1 One 125 amp 20 space main lug load center(s) (Square D #QO120L125G).
- E2 Three 60 amp 2 pole breaker(s) (Square D #QO260).
- E3 One 30 amp 1 pole breaker(s) (Square D #QO130).
- E4 One 20 amp 2 pole breaker(s) (Square D #QO220).
- E5 One 20 amp 1 pole breaker(s) (Square D #QO120).
- E6 One 20 amp 1 pole GFI breaker(s) (Square D #QO120GFI).
- E7 One 15 amp 1 pole breaker(s) (Square D #QO115).

PTMW, Inc.

OEM METAL ENCLOSURE & FABRICATION

THIS DRAWING IS SOLE PROPERTY OF PTMW AND IS PROTECTED UNDER ALL APPLICABLE COPYRIGHT LAWS. THIS DESIGN IS PROPRIETARY TO PTMW AND IS PROVIDED ON A CONFIDENTIAL BASIS FOR USE RELATED TO PTMW'S BUSINESS. THIS DRAWING MAY NOT BE REPRODUCED AND THE DESIGN MAY NOT BE DUPLICATED WITHOUT THE WRITTEN PERMISSION OF PTMW. WE RESERVE THE RIGHT TO MODIFY THIS DESIGN. THIS DRAWING IS LOANED SUBJECT TO RETURN ON DEMAND.

116 X 84 X 34 STAINLESS STEEL CASE

GENERAL NOTES OF MATERIALS AND PROCEDURES

- E8 One 20 amp duplex receptacle(s).
- E9 One 60 amp 3P/4W 125/250 VAC receptacle(s) with WP/WR box and cover.
(Hubbell receptacle #HBL9460A)
(Hubbell cover plate #HBL777A).
- E10 One 15 amp light switch(es).
- E11 Four 4' LED T8 fluorescent light(s) with 85-165 VAC operating range, 32W, 1750 Lumens.
- E12 One 1P/3W, 120/240VAC, 50/60Hz plug-in type surge arrestor(s)
(Square D #QO2175SB).
- E13 Four magnetic door switch(es) (Installed by PTMW).

SHIP LOOSE ITEMS

The following items will be shipped loose with enclosures:

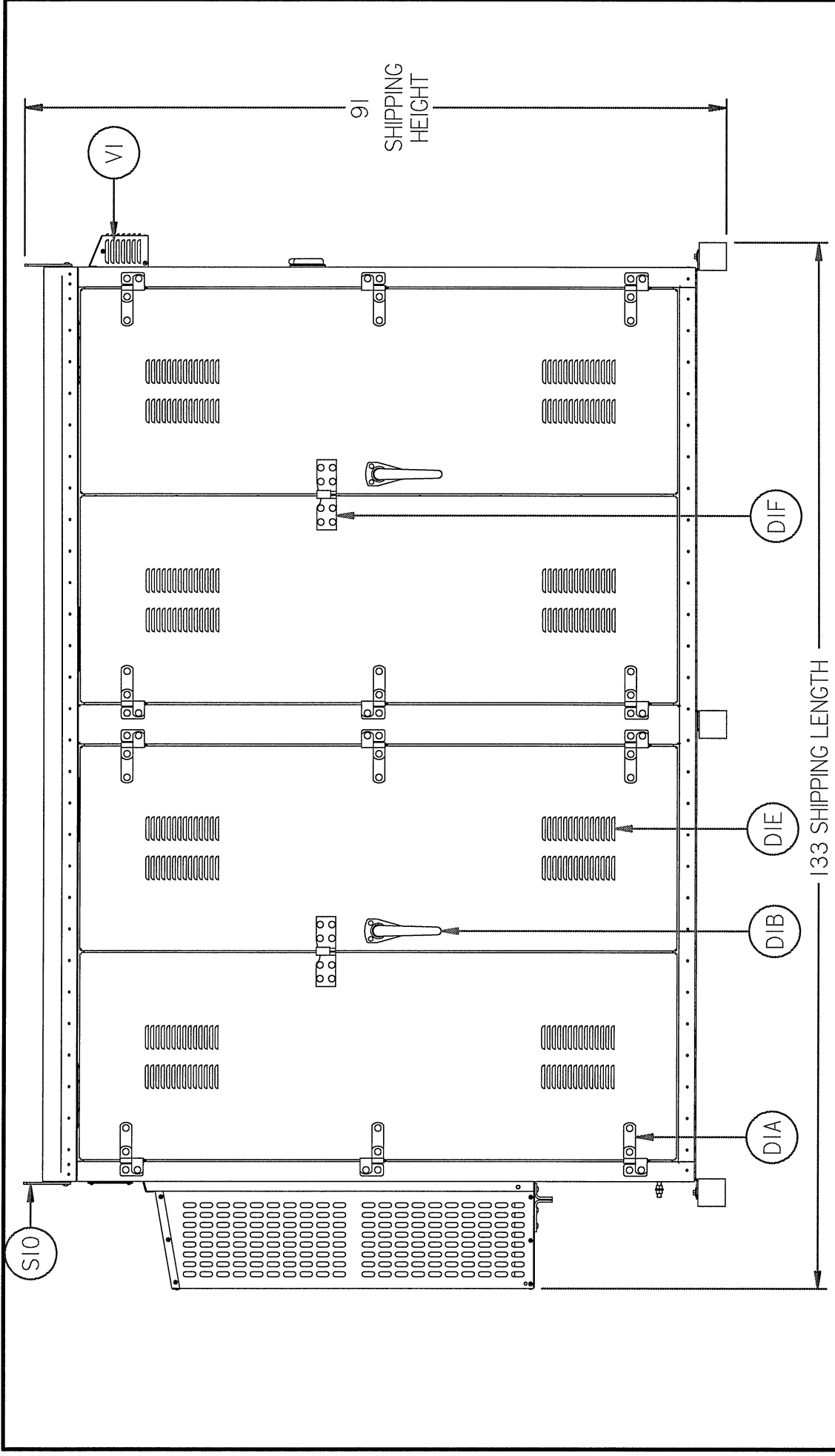
- L1 Two 9-1/2" X 19-3/4" X 18" cable chute(s) with removable back cover and hardware.
- L2 Two 9-1/2" X 24-3/4" X 18" cable chute(s) with removable back cover and hardware.
- L3 One transformer(s) dry 1 PH 10 KVA 120/208/240/277VAC INPUT 120/240VAC OUTPUT (Square D #4WUE2).
- L4 Ten ladder bar(s) with hardware.
- L5 Twelve relay mounting bar(s) with hardware.
- L6 Two quart can(s) of white fire retardant paint with MSDS sheet.
- L7 Five grounding bus bar(s) fabricated from 1/4" X 2.00" copper with mounting hardware.

PTMW, Inc.

OEM METAL ENCLOSURE & FABRICATION

THIS DRAWING IS SOLE PROPERTY OF PTMW AND IS PROTECTED UNDER ALL APPLICABLE COPYRIGHT LAWS. THIS DESIGN IS PROPRIETARY TO PTMW AND IS PROVIDED ON A CONFIDENTIAL BASIS FOR USE RELATED TO PTMW'S BUSINESS. THIS DRAWING MAY NOT BE REPRODUCED AND THE DESIGN MAY NOT BE DUPLICATED WITHOUT THE WRITTEN PERMISSION OF PTMW. WE RESERVE THE RIGHT TO MODIFY THIS DESIGN. THIS DRAWING IS LOANED SUBJECT TO RETURN ON DEMAND.

116 X 84 X 34 STAINLESS STEEL CASE



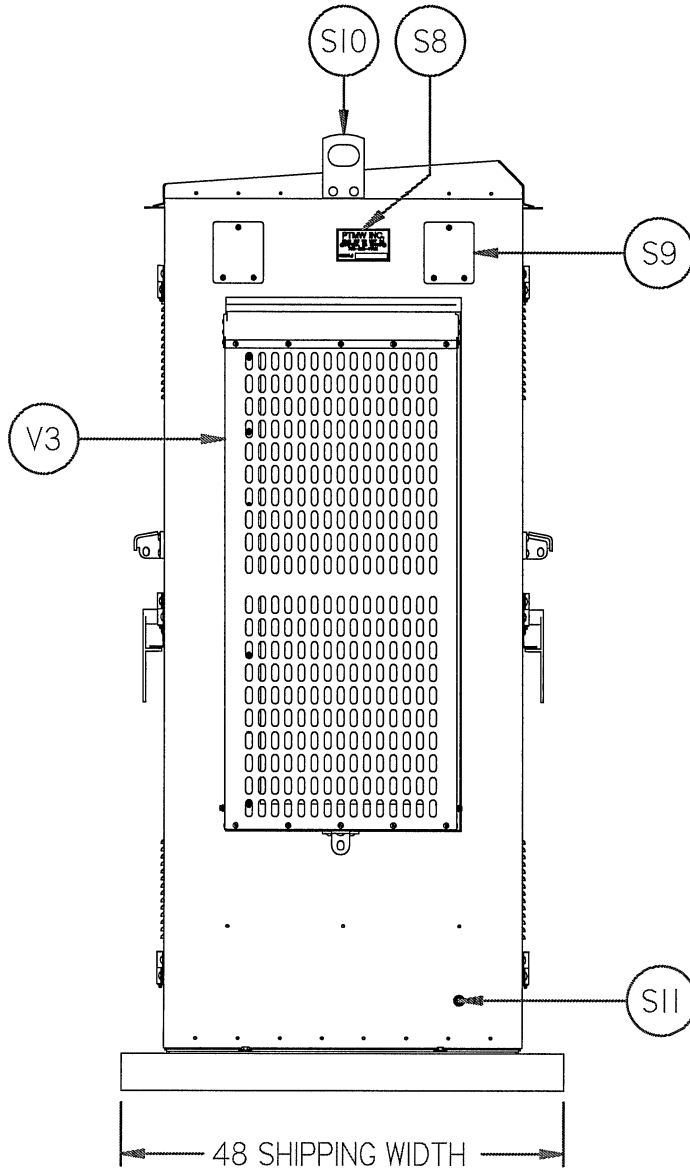
PTMW, Inc.
 O.E.M. METAL FABRICATION & ASSEMBLY

THIS DRAWING IS SOLE PROPERTY OF PTMW AND IS PROTECTED UNDER ALL COPYRIGHT LAWS. THIS DESIGN IS PROPERTY OF PTMW AND IS PROVIDED ON A CONFIDENTIAL BASIS FOR USE RELATED TO PTMW'S BUSINESS. THIS DRAWING MAY NOT BE REPRODUCED AND THE DESIGN MAY NOT BE DUPLICATED WITHOUT THE WRITTEN PERMISSION OF PTMW. WE RESERVE THE RIGHT TO MODIFY THIS DESIGN. THIS DRAWING IS LOANED SUBJECT TO RETURN ON DEMAND.

116 X 84 X 34 STAINLESS STEEL CASE

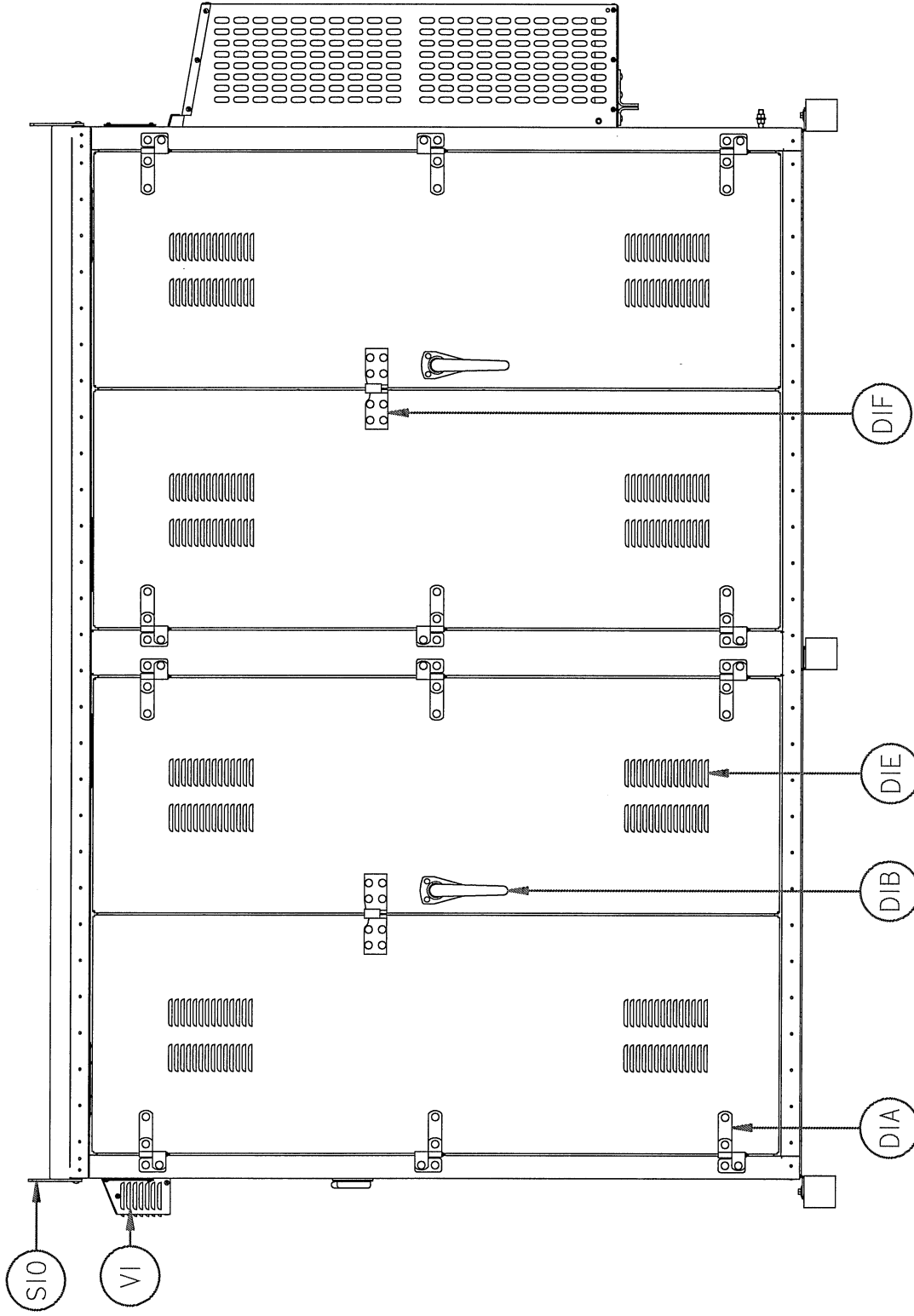
80300300 1 SHEET 4 OF 14

EXTERIOR VIEW OF D WALL



EXTERIOR VIEW OF A WALL

PTMW, Inc. <small>O.E.M. METAL FABRICATION & ASSEMBLY</small>	
<small>THIS DRAWING IS SOLE PROPERTY OF PTMW AND IS PROTECTED UNDER ALL COPYRIGHT LAWS. THIS DESIGN IS PROPERTY OF PTMW AND IS PROVIDED ON A CONFIDENTIAL BASIS FOR USE RELATED TO PTMW'S BUSINESS. THIS DRAWING MAY NOT BE REPRODUCED AND THE DESIGN MAY NOT BE DUPLICATED WITHOUT THE WRITTEN PERMISSION OF PTMW. WE RESERVE THE RIGHT TO MODIFY THIS DESIGN. THIS DRAWING IS LOANED SUBJECT TO RETURN ON DEMAND.</small>	
116 X 84 X 34 STAINLESS STEEL CASE	
80300300 1	SHEET 5 OF 14



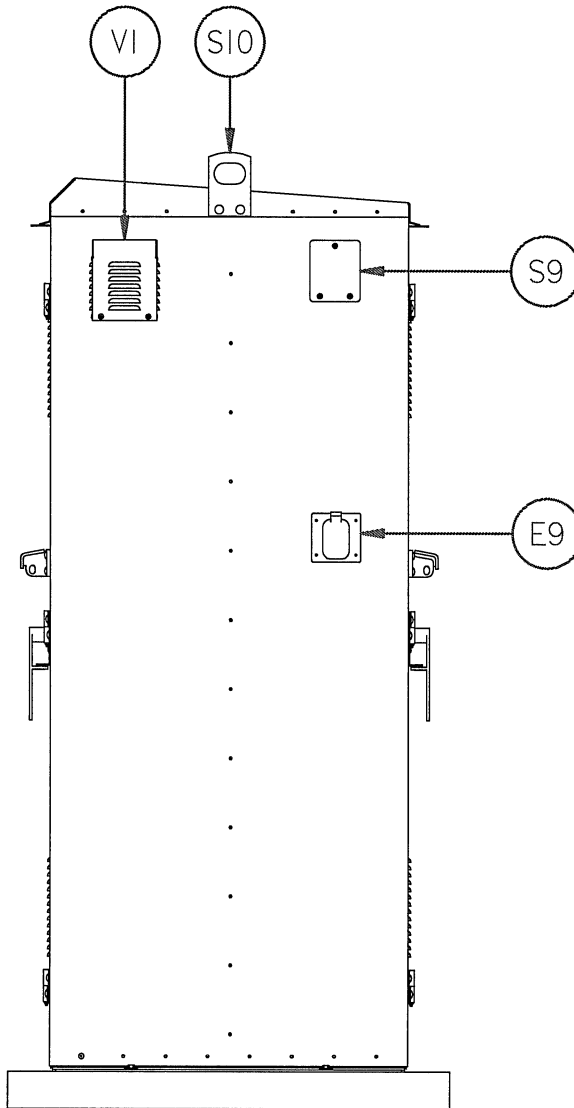
PTMW, Inc.
O.E.M. METAL FABRICATION & ASSEMBLY

THIS DRAWING IS SOLE PROPERTY OF PTMW AND IS PROTECTED UNDER ALL COPYRIGHT LAWS. THIS DESIGN IS PROPERTY OF PTMW AND IS PROVIDED ON A CONFIDENTIAL BASIS FOR USE RELATED TO PTMW'S BUSINESS. THIS DRAWING MAY NOT BE REPRODUCED AND THE DESIGN MAY NOT BE DUPLICATED WITHOUT THE WRITTEN PERMISSION OF PTMW. WE RESERVE THE RIGHT TO MODIFY THIS DESIGN. THIS DRAWING IS LOANED SUBJECT TO RETURN ON DEMAND.

116 X 84 X 34 STAINLESS STEEL CASE

80300300 1 SHEET 6 OF 14

EXTERIOR VIEW OF B WALL



EXTERIOR VIEW OF C WALL

PTMW, Inc.
O.E.M. METAL FABRICATION & ASSEMBLY

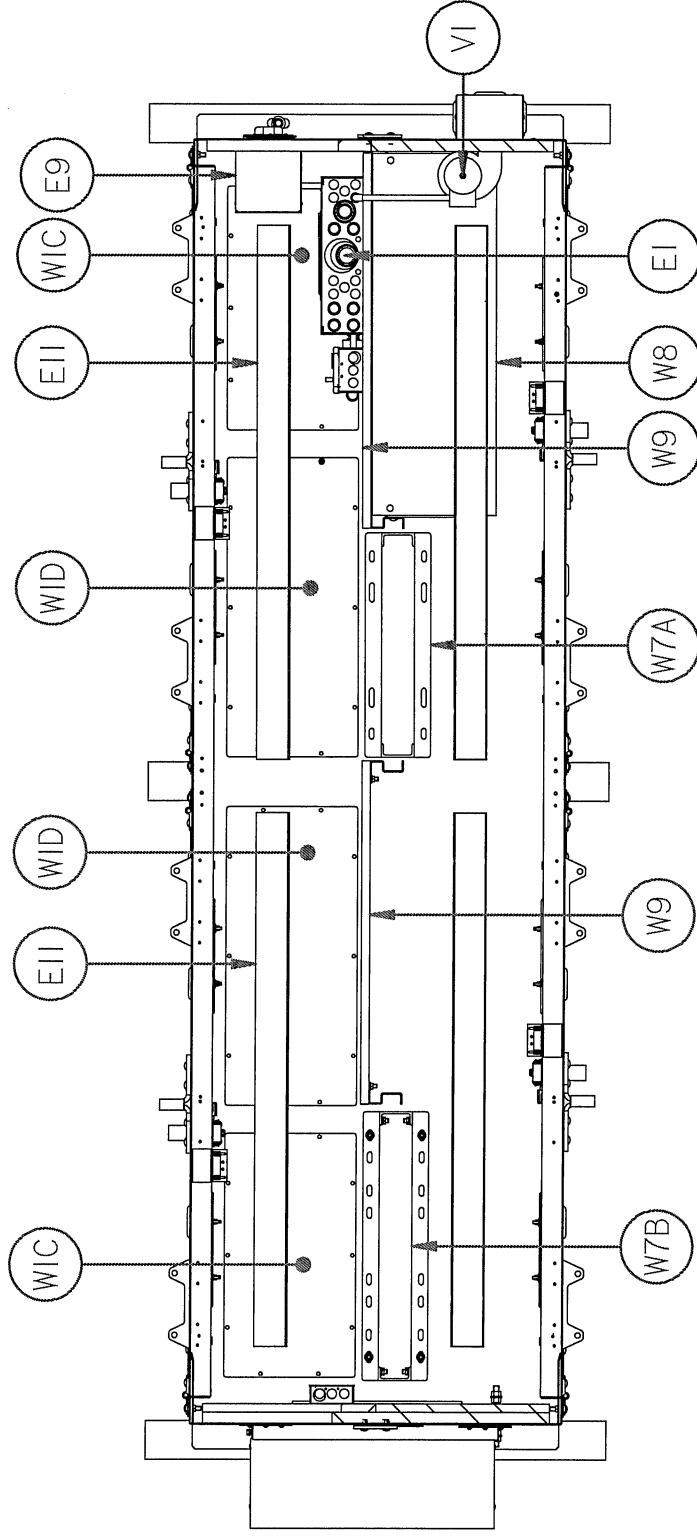
THIS DRAWING IS SOLE PROPERTY OF PTMW AND IS PROTECTED UNDER ALL COPYRIGHT LAWS. THIS DESIGN IS PROPERTY OF PTMW AND IS PROVIDED ON A CONFIDENTIAL BASIS FOR USE RELATED TO PTMW'S BUSINESS. THIS DRAWING MAY NOT BE REPRODUCED AND THE DESIGN MAY NOT BE DUPLICATED WITHOUT THE WRITTEN PERMISSION OF PTMW. WE RESERVE THE RIGHT TO MODIFY THIS DESIGN. THIS DRAWING IS LOANED SUBJECT TO RETURN ON DEMAND.

116 X 84 X 34 STAINLESS STEEL CASE

80300300 1

SHEET 7 OF 14

B WALL



D WALL

A WALL

PTMW, Inc.

O.E.M. METAL FABRICATION & ASSEMBLY

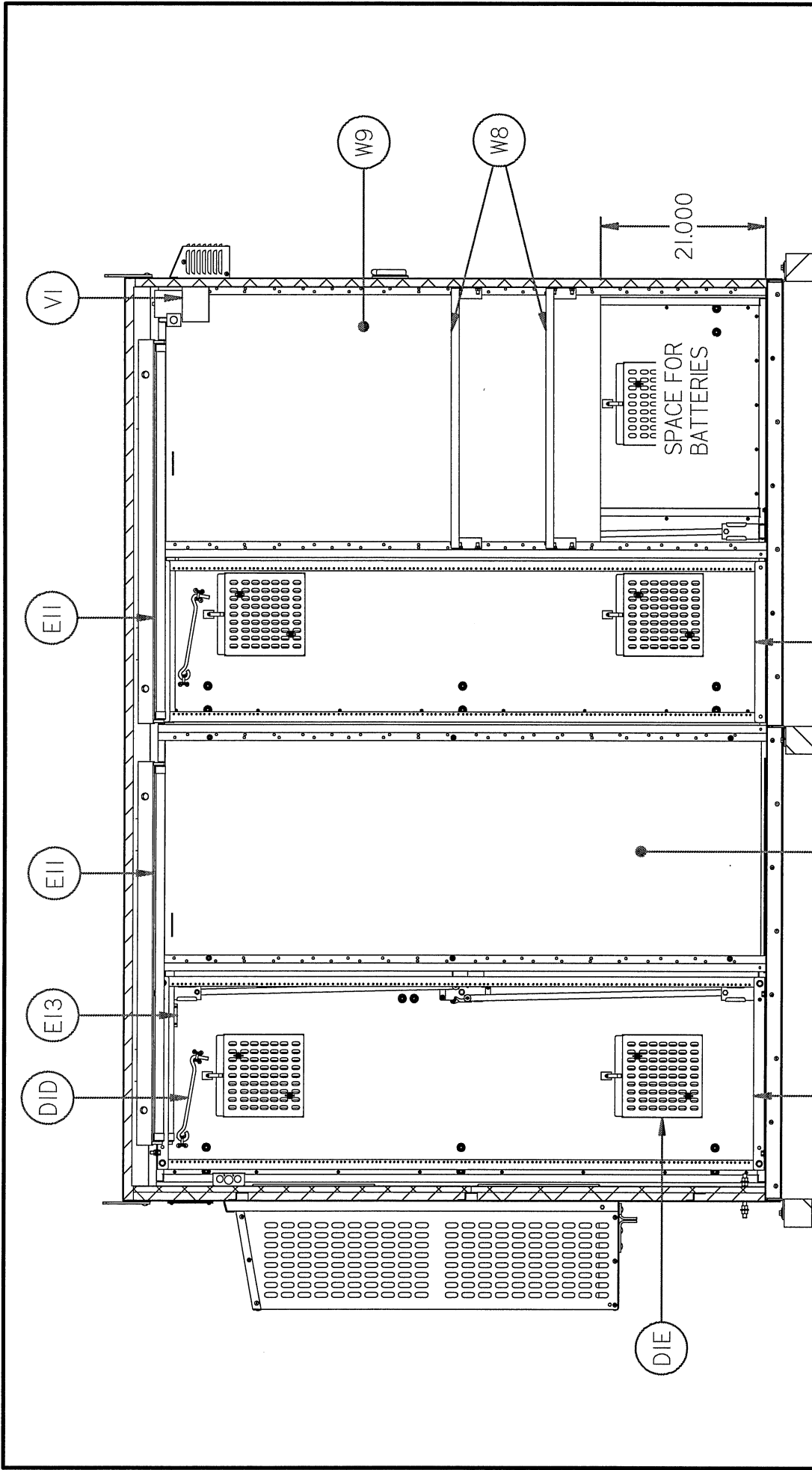
THIS DRAWING IS SOLE PROPERTY OF PTMW AND IS PROTECTED UNDER ALL COPYRIGHT LAWS. THIS DESIGN IS PROPERTY OF PTMW AND IS PROVIDED ON A CONFIDENTIAL BASIS FOR USE RELATED TO PTMW'S BUSINESS. THIS DRAWING MAY NOT BE REPRODUCED AND THE DESIGN MAY NOT BE DUPLICATED WITHOUT THE WRITTEN PERMISSION OF PTMW. WE RESERVE THE RIGHT TO MODIFY THIS DESIGN. THIS DRAWING IS LOANED SUBJECT TO RETURN ON DEMAND.

PLAN VIEW OF ENCLOSURE

116 X 84 X 34 STAINLESS STEEL CASE

80300300 1

SHEET 8 OF 14



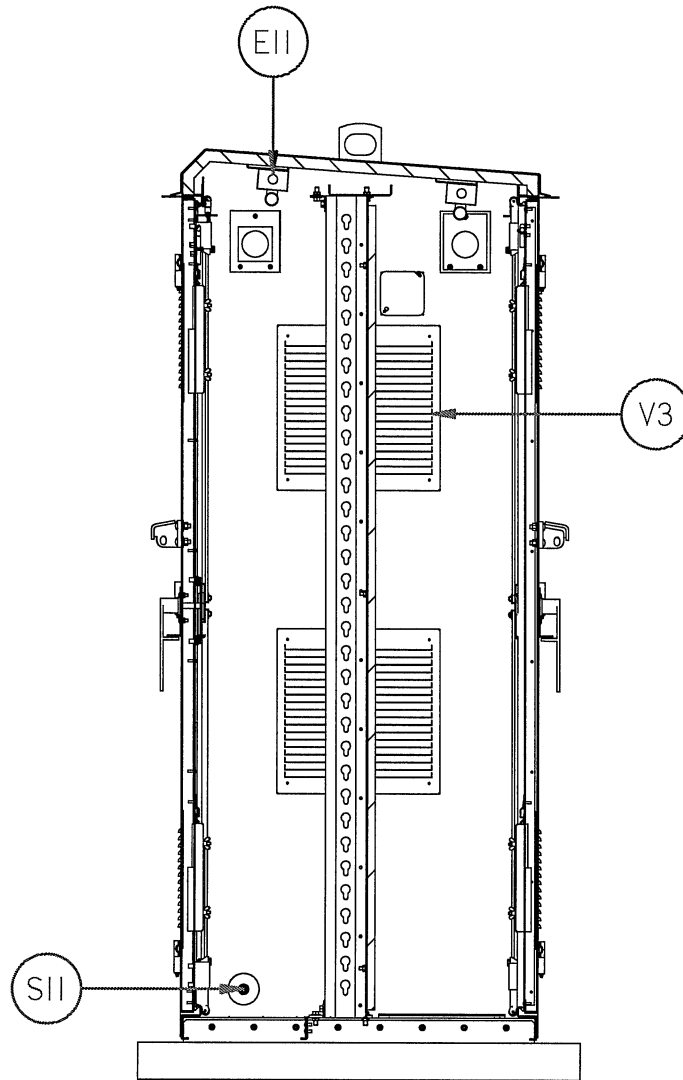
PTMW, Inc.
 O.E.M. METAL FABRICATION & ASSEMBLY

THIS DRAWING IS SOLE PROPERTY OF PTMW AND IS PROTECTED UNDER ALL COPYRIGHT LAWS. THIS DESIGN IS PROPERTY OF PTMW AND IS PROVIDED ON A CONFIDENTIAL BASIS FOR USE RELATED TO PTMW'S BUSINESS. THIS DRAWING MAY NOT BE REPRODUCED AND THE DESIGN MAY NOT BE DUPLICATED WITHOUT THE WRITTEN PERMISSION OF PTMW. WE RESERVE THE RIGHT TO MODIFY THIS DESIGN. THIS DRAWING IS LOANED SUBJECT TO RETURN ON DEMAND.

116 X 84 X 34 STAINLESS STEEL CASE

80300300 1 SHEET 9 OF 14

FRONT VIEW OF BACKBOARD



INTERIOR VIEW OF A WALL

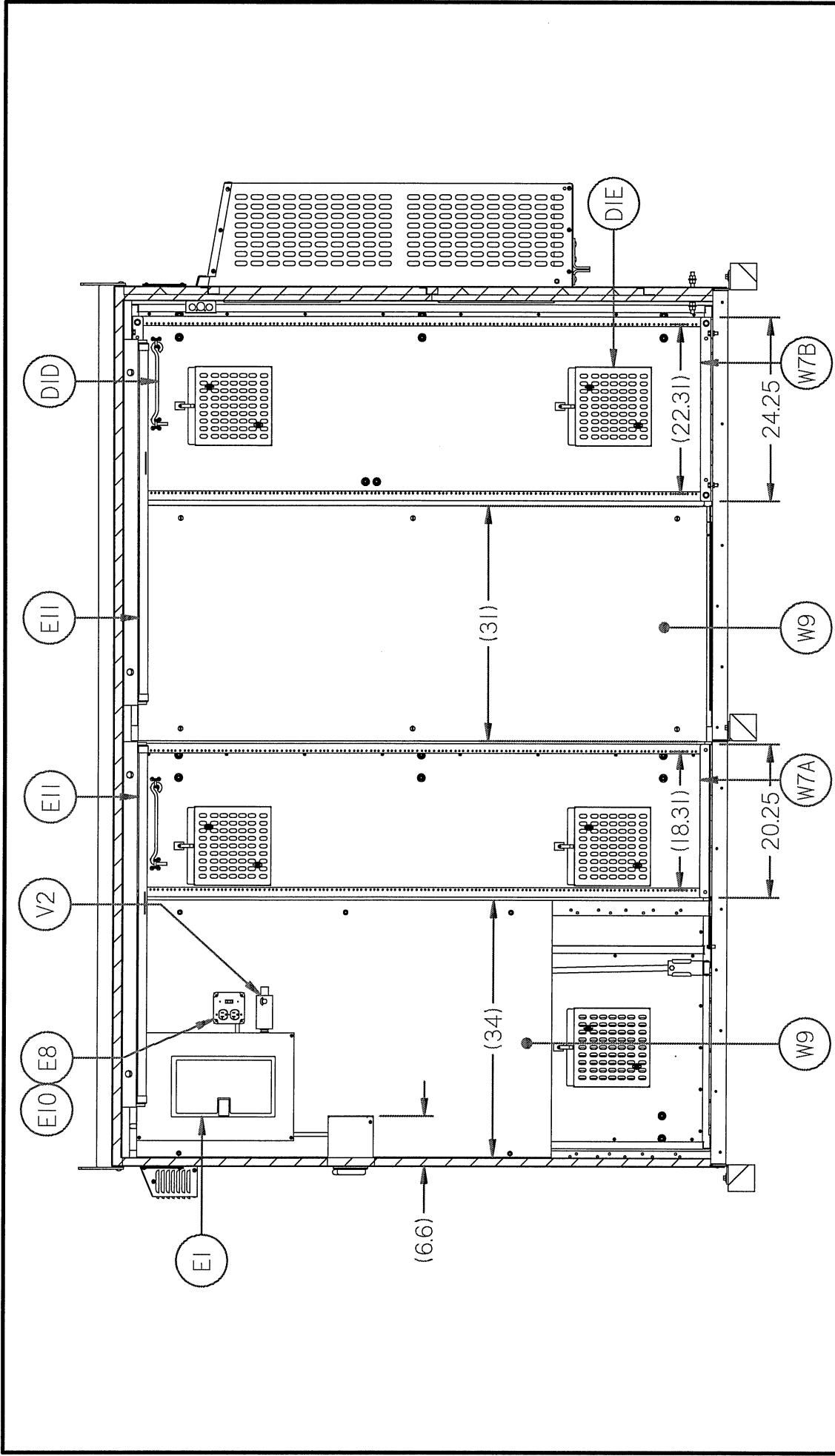
PTMW, Inc.
O.E.M. METAL FABRICATION & ASSEMBLY

THIS DRAWING IS SOLE PROPERTY OF PTMW AND IS PROTECTED UNDER ALL COPYRIGHT LAWS. THIS DESIGN IS PROPERTY OF PTMW AND IS PROVIDED ON A CONFIDENTIAL BASIS FOR USE RELATED TO PTMW'S BUSINESS. THIS DRAWING MAY NOT BE REPRODUCED AND THE DESIGN MAY NOT BE DUPLICATED WITHOUT THE WRITTEN PERMISSION OF PTMW. WE RESERVE THE RIGHT TO MODIFY THIS DESIGN. THIS DRAWING IS LOANED SUBJECT TO RETURN ON DEMAND.

116 X 84 X 34 STAINLESS STEEL CASE

80300300 1

SHEET 10 OF 14

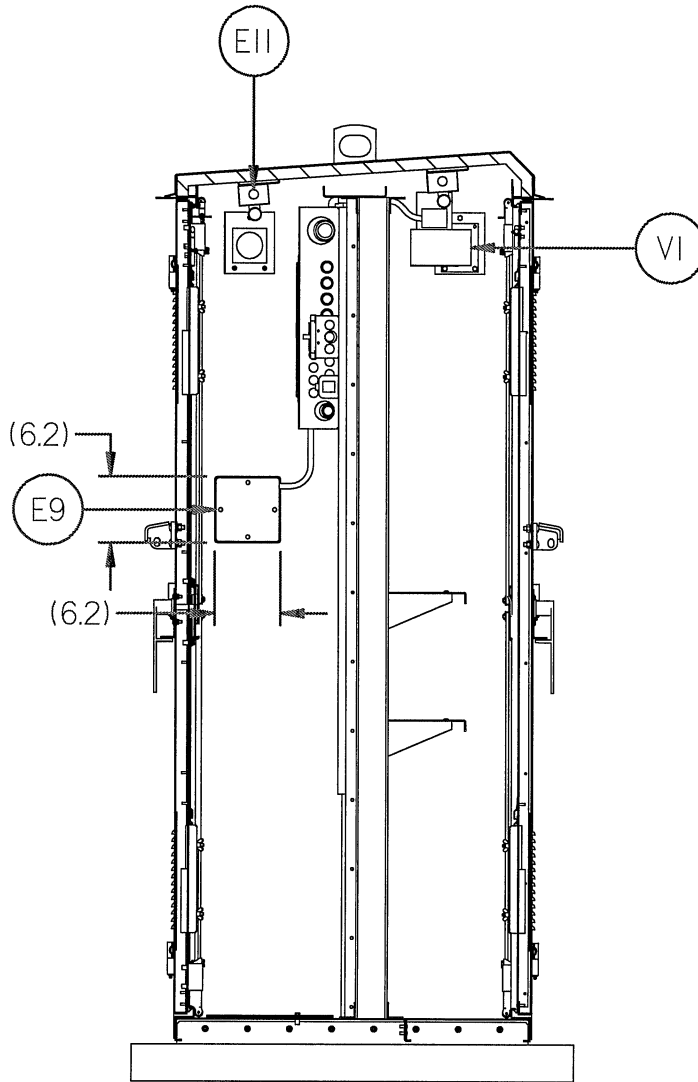


PTMW, Inc.
 O.E.M. METAL FABRICATION & ASSEMBLY

THIS DRAWING IS SOLE PROPERTY OF PTMW AND IS PROTECTED UNDER ALL COPYRIGHT LAWS. THIS DESIGN IS PROPERTY OF PTMW AND IS PROVIDED ON A CONFIDENTIAL BASIS FOR USE RELATED TO PTMW'S BUSINESS. THIS DRAWING MAY NOT BE REPRODUCED AND THE DESIGN MAY NOT BE DUPLICATED WITHOUT THE WRITTEN PERMISSION OF PTMW. WE RESERVE THE RIGHT TO MODIFY THIS DESIGN. THIS DRAWING IS LOANED SUBJECT TO RETURN ON DEMAND.

116 X 84 X 34 STAINLESS STEEL CASE
 80300300 1 SHEET 11 OF 14

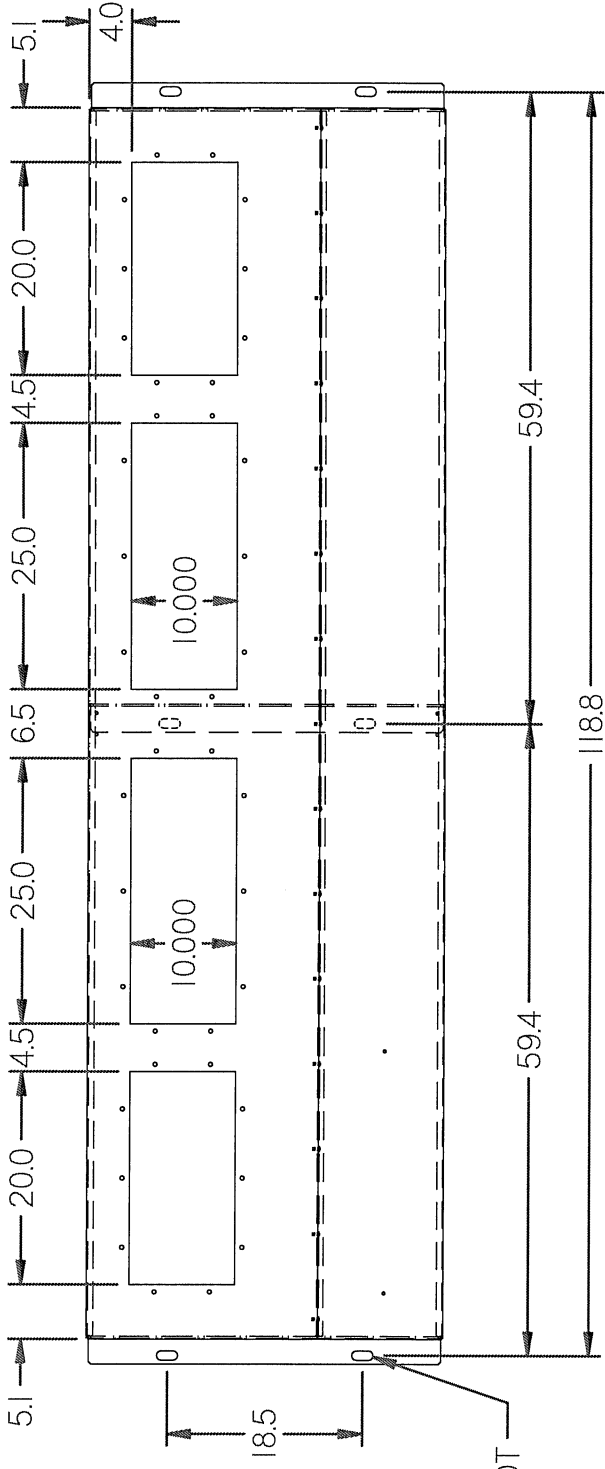
REAR VIEW OF BACKBOARD



INTERIOR VIEW OF C WALL

PTMW, Inc. <small>O.E.M. METAL FABRICATION & ASSEMBLY</small>	
<small>THIS DRAWING IS SOLE PROPERTY OF PTMW AND IS PROTECTED UNDER ALL COPYRIGHT LAWS. THIS DESIGN IS PROPERTY OF PTMW AND IS PROVIDED ON A CONFIDENTIAL BASIS FOR USE RELATED TO PTMW'S BUSINESS. THIS DRAWING MAY NOT BE REPRODUCED AND THE DESIGN MAY NOT BE DUPLICATED WITHOUT THE WRITTEN PERMISSION OF PTMW. WE RESERVE THE RIGHT TO MODIFY THIS DESIGN. THIS DRAWING IS LOANED SUBJECT TO RETURN ON DEMAND.</small>	
116 X 84 X 34 STAINLESS STEEL CASE	
80300300 1	SHEET 12 OF 14

B WALL



A WALL

C WALL

6X.88 X 2.00 SLOT

D WALL

PTMW, Inc.
O.E.M. METAL FABRICATION & ASSEMBLY

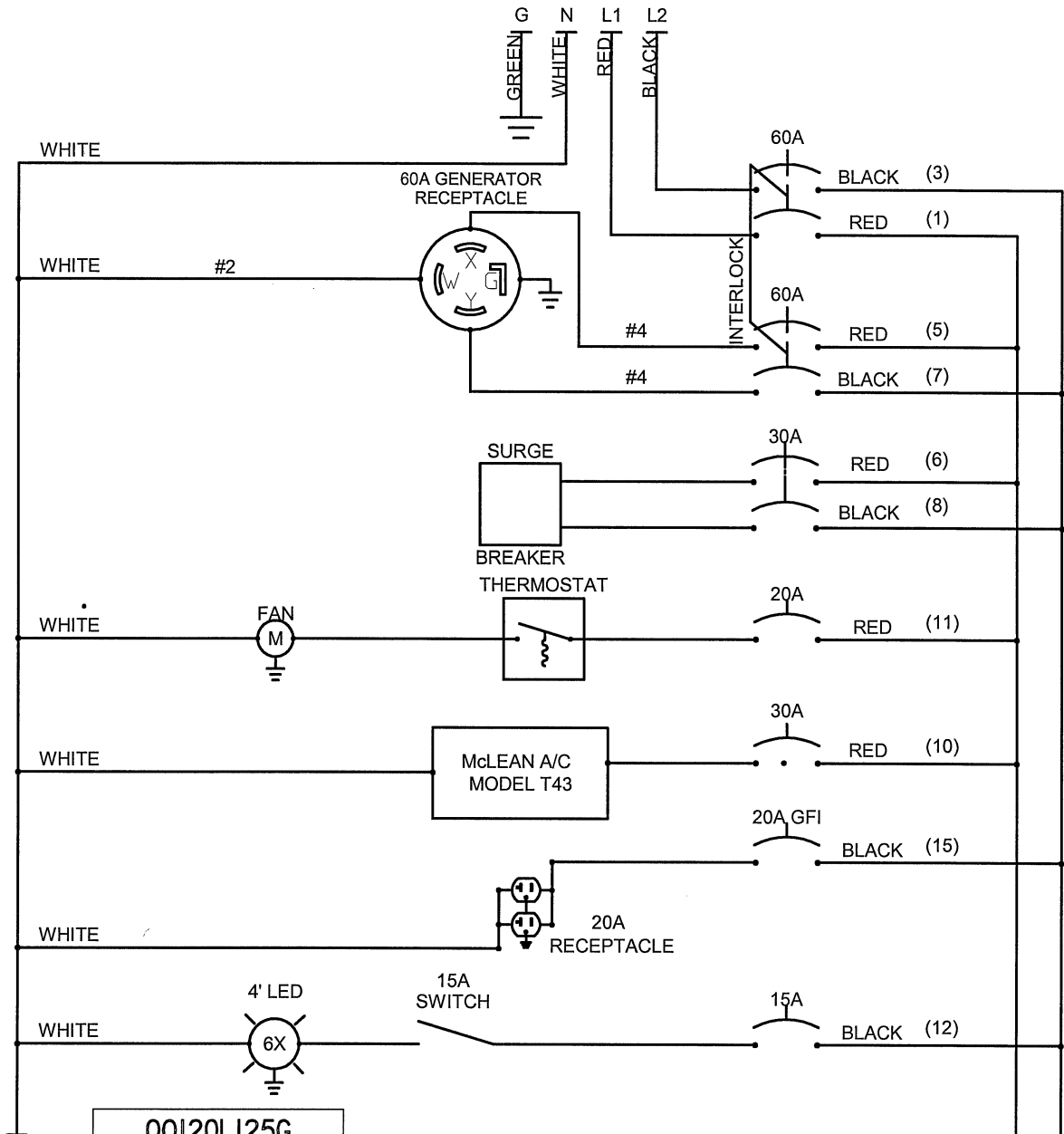
THIS DRAWING IS SOLE PROPERTY OF PTMW AND IS PROTECTED UNDER ALL COPYRIGHT LAWS. THIS DESIGN IS PROPERTY OF PTMW AND IS PROVIDED ON A CONFIDENTIAL BASIS FOR USE RELATED TO PTMW'S BUSINESS. THIS DRAWING MAY NOT BE REPRODUCED AND THE DESIGN MAY NOT BE DUPLICATED WITHOUT THE WRITTEN PERMISSION OF PTMW. WE RESERVE THE RIGHT TO MODIFY THIS DESIGN. THIS DRAWING IS LOANED SUBJECT TO RETURN ON DEMAND.

116 X 84 X 34 STAINLESS STEEL CASE

FOUNDATION LAYOUT

80300300 1

SHEET 13 OF 14



Q0120L125G					
MAIN	1		2	SPARE	
	3	60A	60A		4
GENERATOR RECEPTACLE	5	60A	30A	6	SURGE BREAKER
	7			8	
FAN	9	NOT USED	30A	10	T43 MCLEAN HVAC
	11	20A	15A	12	LIGHTS
RECEPTACLE	13	NOT USED	20A	14	SPARE
	15	20A GFI		16	
	17	NOT USED	NOT USED	18	
19	NOT USED	NOT USED	20		

ELECTRICAL SCHEMATIC

PTMW, Inc.
O.E.M. METAL FABRICATION & ASSEMBLY

THIS DRAWING IS SOLE PROPERTY OF PTMW AND IS PROTECTED UNDER ALL COPYRIGHT LAWS. THIS DESIGN IS PROPERTY OF PTMW AND IS PROVIDED ON A CONFIDENTIAL BASIS FOR USE RELATED TO PTMW'S BUSINESS. THIS DRAWING MAY NOT BE REPRODUCED AND THE DESIGN MAY NOT BE DUPLICATED WITHOUT THE WRITTEN PERMISSION OF PTMW. WE RESERVE THE RIGHT TO MODIFY THIS DESIGN. THIS DRAWING IS LOANED SUBJECT TO RETURN ON DEMAND.

116 X 84 X 34 STAINLESS STEEL CASE

80300300 1 SHEET 14 OF 14