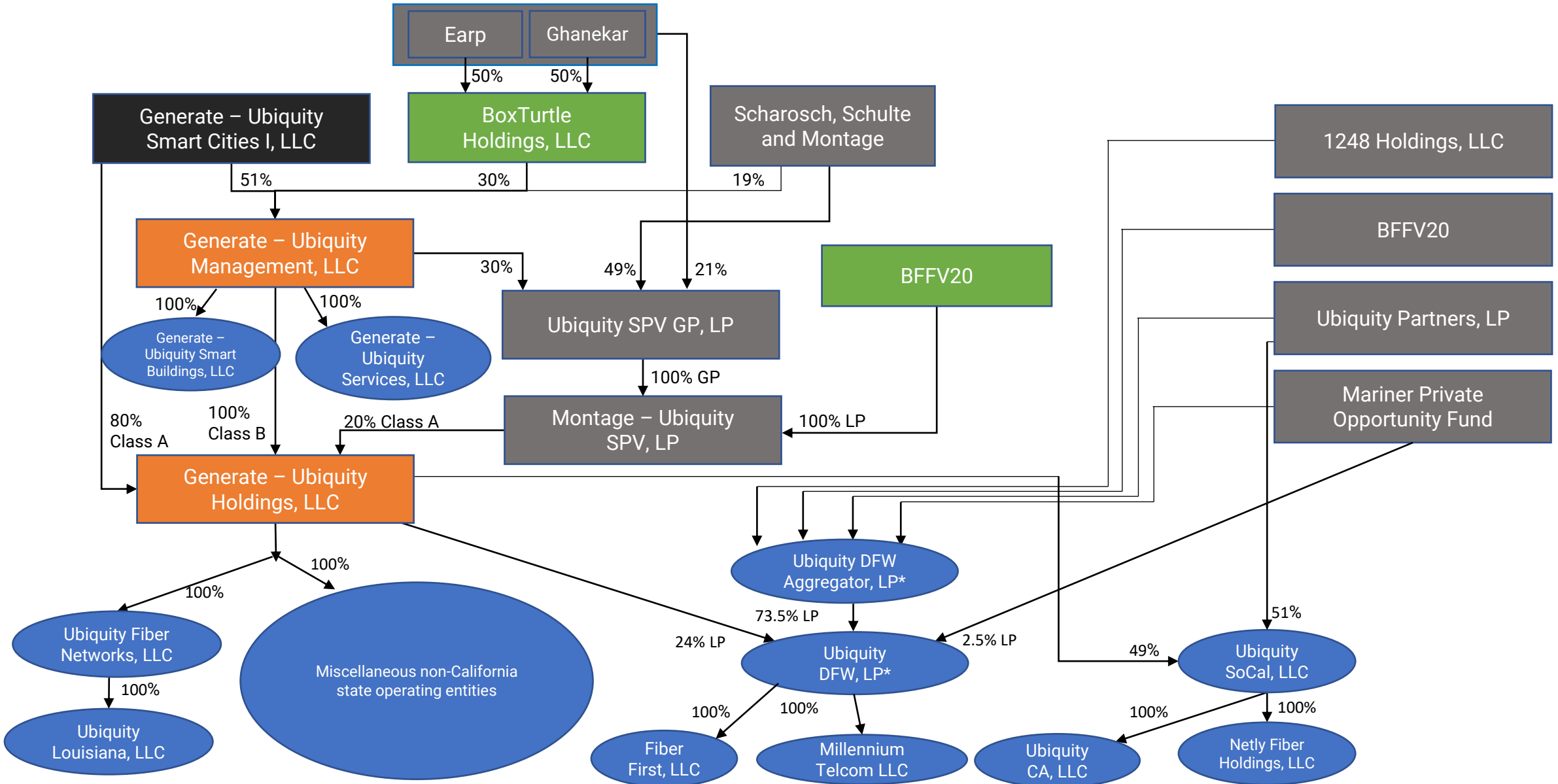


# ATTACHMENT A

## Organizational Charts

Exhibit 2 - Pre-Closing, Post-Netly Ownership Chart (Current Structure)



\* GP of both entities is Ubiquity Holdings UGP, LLC. LP %s in Ubiquity DFW Aggregator, LP are approximate.

# Amended Post-Conversion Structure Chart

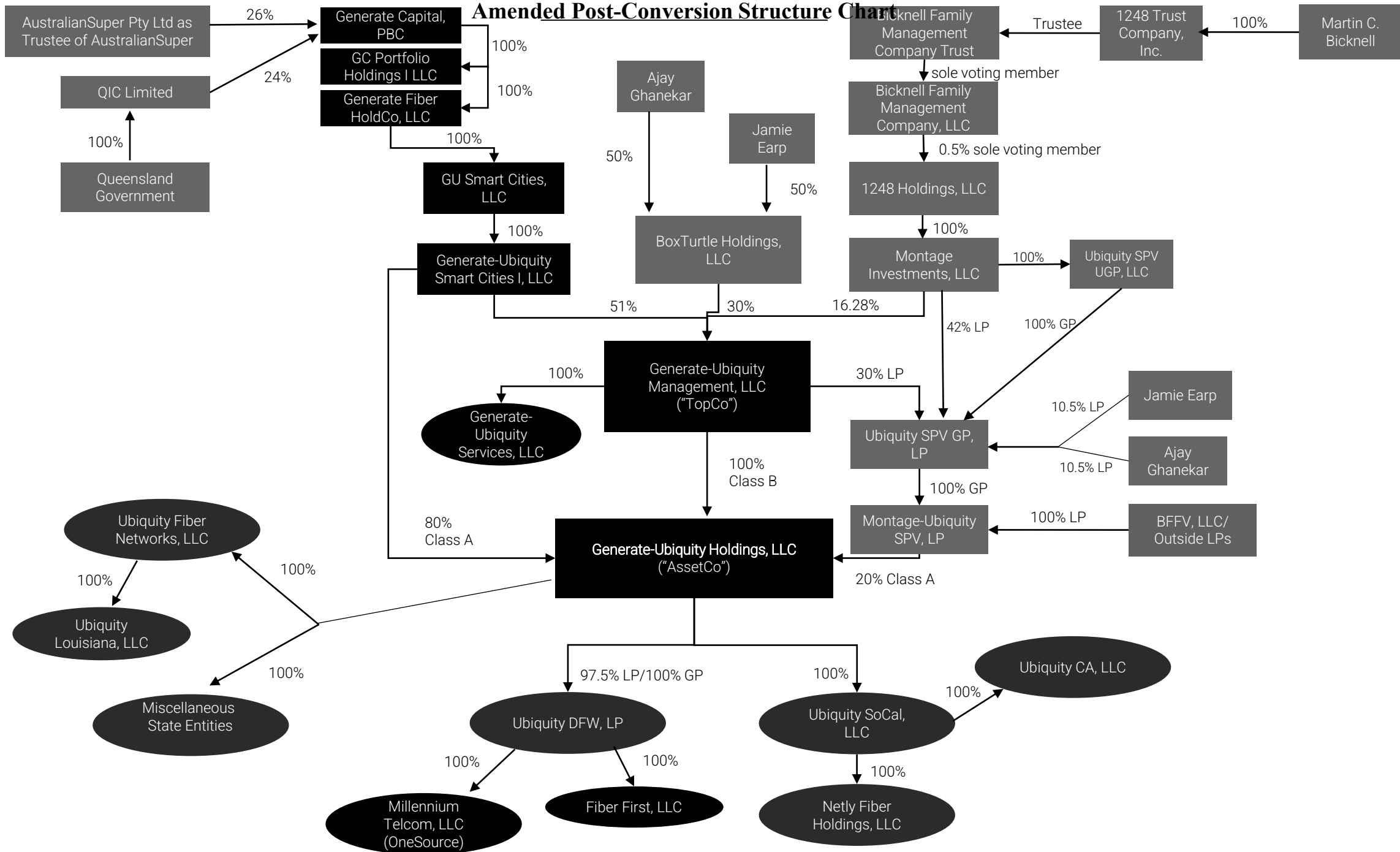
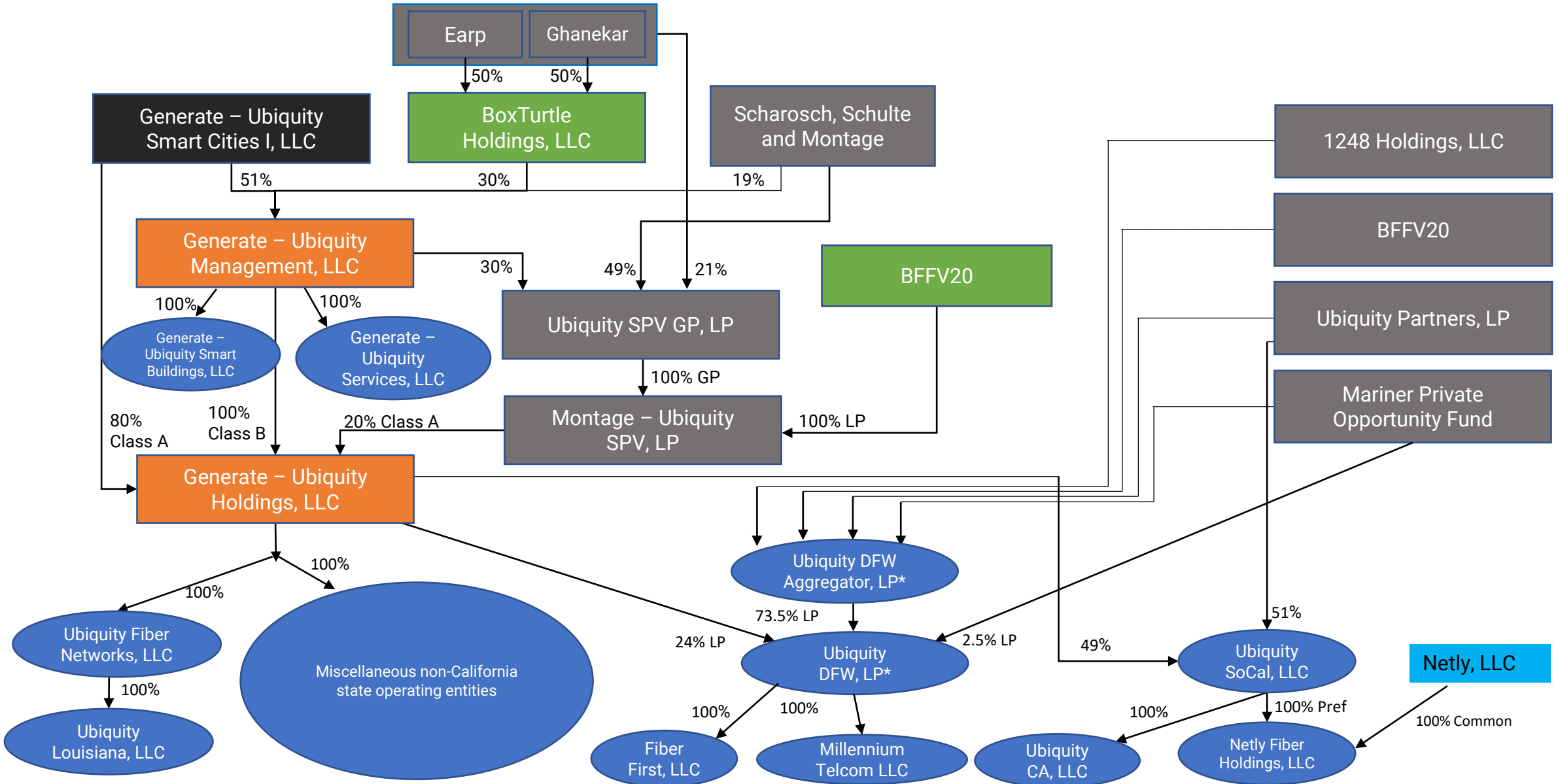


Exhibit 1 - Pre-Closing, Pre-Netly Divestiture Ownership Chart



\* GP of both entities is Ubiquity Holdings UGP, LLC. LP %s in Ubiquity DFW Aggregator, LP are approximate.

**(END OF ATTACHMENT A)**